

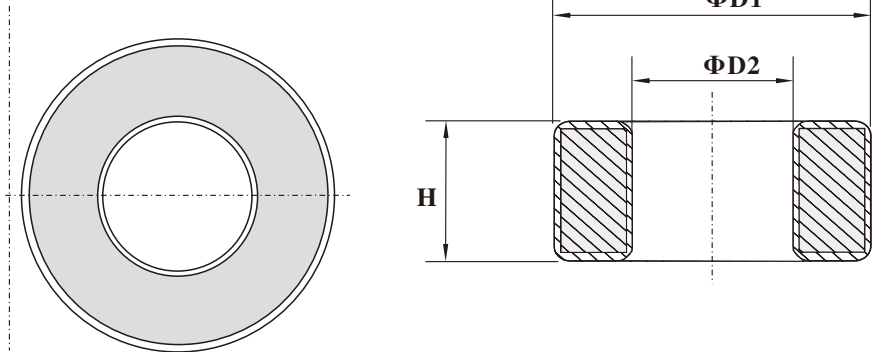
P3 **T12.7*7.8*5** **C/P**
Material **Core Size** **Coating**
 材质 品名 涂装

C=Epoxy. P=Parylene.

Ferrite core

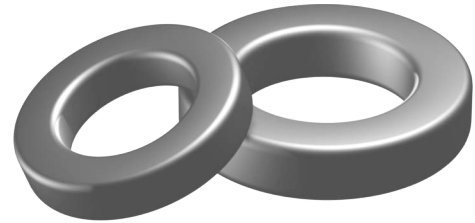
Dimensions: (UNIT:mm)

Dimensions(mm)				
Epoxy Coating Dimensions(mm)				
ΦD1	ΦD2	H	Wt(g/set)	
12.7±0.40	7.80±0.30	5.00±0.30	1.75	
13.40 max	6.90 min	5.90 max		



Test Conditions

AL: F=10.0KHz U=0.3V N=10Ts



Effective parameter

	Ve(mm ³)	Ae(mm ²)	Le(mm)
	464	14.7	31.6

Coating

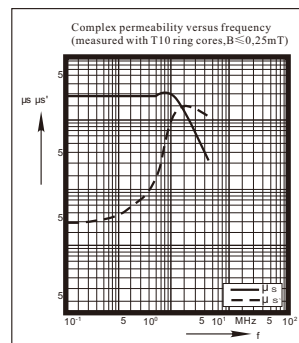
The core are coated with epoxy, flame retardant in accordance with "UL 94V-0" file number E228348. The colour is green.

Ring core data

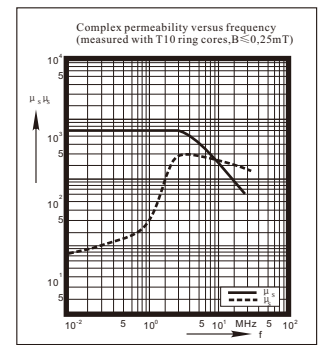
GRADE	AL(nH)	μi	TYPE NUMBER
P3	1200±25%	≈2300	T12.7/7.8/5/P3
H5K	2400±25%	≈5000	T12.7/7.8/5/H5K
H7K	3400±25%	≈7000	T12.7/7.8/5/H7K
H10K	4900±30%	≈10000	T12.7/7.8/5/H10K

Note:

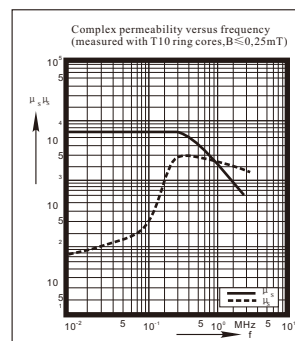
- 1: Document is the property of FUAN Inc & is not allowed to be duplicated without authorization
- 2: RoHS compliant.



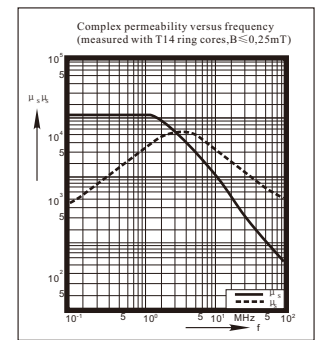
P3



H5K



H7K



H10K