
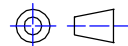


Code No.: FAY01022

REMARK:		REV.	REVISIONS REC.	DATE:
1.		1.		
2.		2.		
DRAWN BY	Yuing.yu	TOLERANCES		ANGLE: $\pm 1^\circ$
CHECKED BY	Yong.zhan	0<L<4 $\pm 0.10$ 4<L<16 $\pm 0.20$ 16<L<63 $\pm 0.30$ Pin pitch: $\pm 0.2$ Wall thickness: $\pm 0.15$		MODEL NAME: EE25/25(10+10 PIN)-1S
APPROVED BY	Xueliang.zhan	UNIT: MM	BOBBIN MATERIAL: FR530	UL REC. UL 94V-0
 天长市富安电子有限公司 TIAN CHANG FUAN ELECTRONIC CO.,LTD TEL:+86-550-7814888 FAX:+86-550-7831133 Http: www.fuantronics.net		SCALE: 2:1	PIN MATERIAL: CP WIRE	REV. 0
			DRAWING NO: EE-5501-2	DATE: 2020.03.06