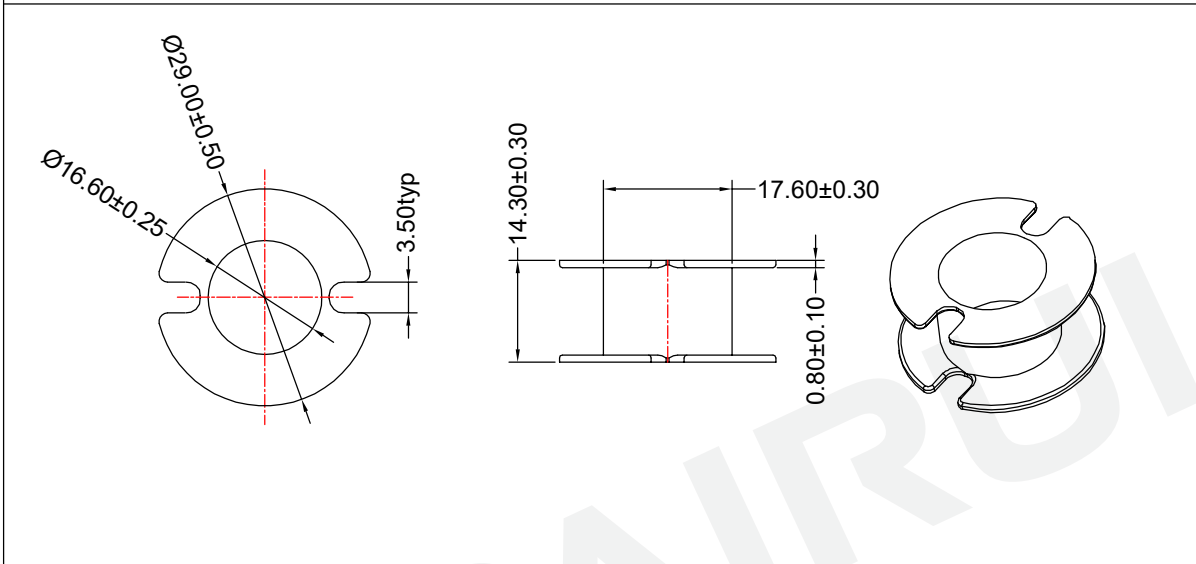


COIL FORMER  
General data GU36/22 coil former

PARAMETER	SPECIFICATION
Coil former material	polyamid (PA66), glass reinforced, flame retardant in accordance with "UL 94HB"; UL file number E41938
Maximum operating temperature	180°C, "IEC 60085", class H
Resistance to soldering heat	"IEC 60068-2-20", Part 2, Test Tb, method 1B, 350 °C, 3.5 s
Soldeerability	"IEC 60068-2-20", Part 2, Test Ta, method 1



Type Number: GU-3622-1-2S-0P	Type Number: GU-3622-2-3S-0P
------------------------------	------------------------------

Material Number: A4K362210060	Material Number: A4K362220060
-------------------------------	-------------------------------



Winding data and area product for GU36/22 coil former

NUMBER OF SECTIONS	WINDING AREA (mm <sup>2</sup> )	MINIMUM WINDING WIDTH (mm)	AVERAGE LENGTH OF TURN (mm)	AREA PRODUCT Ae x Aw (mm <sup>4</sup> )	TYPE NUMBER
1	72	12.70	73	1150	GU-3622-1S-0P

Tolerances unless otherwise specified: 0<L≤4±0.10 4<L≤16±0.20 16<L≤45±0.30 45≤L±0.40 Pin Dim:±0.05 Thickness:±0.20 Pin Pitch:±0.20					
---	--	--	--	--	--

Dimensions : (mm) 	REMARK	
	Mould No.:	Bobbin material: PA66
	Code No.: FAY01042	Available for Fuan core: GU36/22

	<b>Fuan Electronics</b> TEL :0086-514-87693589 EML :sales@fuantronics.net WEB:www.fuantronics.net		Make: P.Xiao	Material Number: A4K362200060
			Checked: Beson. zhan	Document/Rev: 00
			Approved: Anson. zhan	Date of Recognition: Apr./13/2020